

multict ASK bushing type current transformer

Application:

An affordable and compact alternative for setting up new systems.



multict ASK 41.4

multict ASK bushing type current transformer

Highlights

- Compact design
- Use with circular conductors and primary rails

An overall view of **technical details** can be found on the following pages.

The current transformers in the **multict ASK** series are set apart by their compact size, versatility, and higher safety standards.

Compactness

All transformers in this series have a depth of 30 mm. The different designs offer different windows for different cable and bar diameters.

Versatility

A primary rail clamp with a positive guide is available for fastening the transformer to primary rails. If necessary, for example in conditions with tight space, the connection terminal can easily be pulled out.

Description

Bushing type current transformers for primary rated currents between 30 A and 7,500 A, secondary rated current 1 A, 5 A, in accuracy classes 0.2s, 0.2, 0.5s, 0.1, and 1. All transformers are delivered including the the materials necessary for fastening. The supply of primary conductor rails (electrolyte copper, nickel-plated) in accordance with the rail window is optional, including DIN 933 screws, complete with nuts, washers, and spring rings for mounting in busbars or similar.

Technical Data

Maximum operating voltage U_m	0.72 kV
Rated continuous thermal current I_{cth}	$1.0 \times I_n$
Rated short-time thermal current I_{th}	$60 \times I_n$, 1 sec (max. 100 kA)
Rated surge current I_{dyn}	$2.5 \times I_{th}$
Overcurrent limiting factor	FS 5
Rated frequency	50 (60) Hz ($16 \frac{2}{3}$ up to 400 Hz by request)
Insulation class	E
Insulation test voltages	3 kV, 1 min, U_{eff} 50 Hz ($U_m \leq 0,72$ kV)
Working temperature range	$-5 \text{ °C} \leq T \leq +50 \text{ °C}$
Storage temperature range	$-25 \text{ °C} \leq T \leq +70 \text{ °C}$
Applied norms	DIN EN 61869/1+2, DIN 42600-1, DIN 42600-2

Unbreakable plastic housing made of polycarbonate

Flame-resistant and self-extinguishing in accordance with UL94-V2

Nickel-plated secondary clamps with plus/minus screws (2 Nm)

Selection matrix

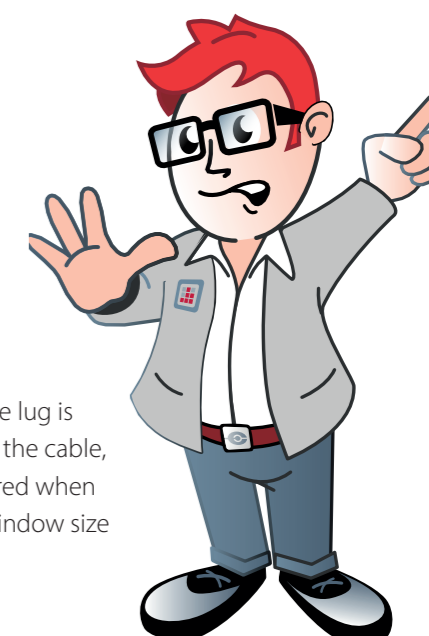
	Housing (HxWxD)	Circular conductor \varnothing	Rail 1	Rail 2
multict ASK 31.3	76 x 61 x 48 mm	26 mm	30 x 10 mm	2x 20 x 10 mm
multict ASK 41.4	86 x 71 x 58 mm	32 mm	40 x 10 mm	2x 30 x 5 mm
multict ASK 51.4	99 x 86 x 58 mm	44 mm	50 x 12 mm	2 x 40 x 10 mm
multict ASK 61.4	106 x 96 x 58 mm	44 mm	63 x 10 mm	2x 50 x 10 mm
multict ASK 81.4	124 x 120 x 58 mm	55 mm	80 x 10 mm	2x 60 x 10 mm
multict ASK 101.4	141 x 130 x 58 mm	70 mm	100 x 10 mm	2x 80 x 10 mm

All devices are delivered including the the materials necessary for fastening.

Included in the scope of delivery:

- 1 primary rail clamp
- 2 screws M5x35
- 2 secondary clamp covers (red valve)
- 2 mounting feet

CAUTION: If a cable lug is already pressed on the cable, it must be considered when determining the window size of the transformer.



multict ASK bushing type current transformer



multict ASK 31.3

A	VA	Secondary current 5A Class 1
50	1	22000
75	1.5	10724
100	2.5	21999
150	2.5	22001
200	5	10753
250	5	10754
300	5	10755
400	5	10756
500	5	10757
600	5	10758
750	10	10801

	Item no.
Snap-on mounting	24807

multict ASK 41.4

A	VA	Secondary current 5A Class 1
75	1.5	10802
100	2.5	10803
150	5	10804
200	5	10805
250	5	10806
300	5	10807
400	5	10808
500	5	10809
600	5	10810
750	10	10811
800	10	10812
1000	10	10813

	Item no.
Snap-on mounting	24810

multict ASK 51.4

A	VA	Secondary current 5A Class 1
100	1.5	10814
150	2.5	10815
200	5	10922
250	5	10817
300	5	10818
400	5	10819
500	5	10886
600	10	10821
750	10	10822
800	10	10921
1000	10	10824
1250	10	10825

multict ASK 61.4

A	VA	Secondary current 5A Class 1
200	2.5	10826
250	5	10854
300	5	10828
400	5	10829
500	5	10830
600	10	10894
750	10	10832
800	10	10833
1000	10	10834
1250	10	10835
1500	10	10836

multict ASK 81.4

A	VA	Secondary current 5A Class 1
400	5	10837
500	5	10838
600	10	10839
750	10	10840
800	10	10914
1000	10	10915
1250	10	10843
1500	10	10740

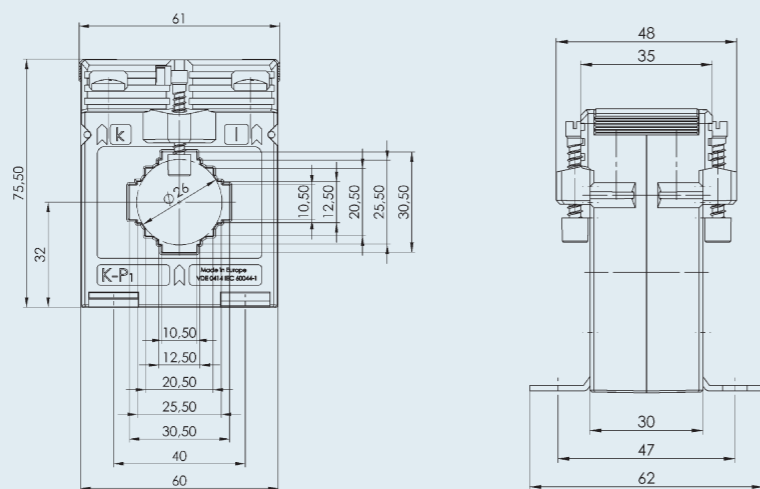
multict ASK 101.4

A	VA	Secondary current 5A Class 1
500	10	10846
750	10	10847
800	10	10848
1000	10	10849
1250	10	10850
1500	10	10851
2000	10	10852

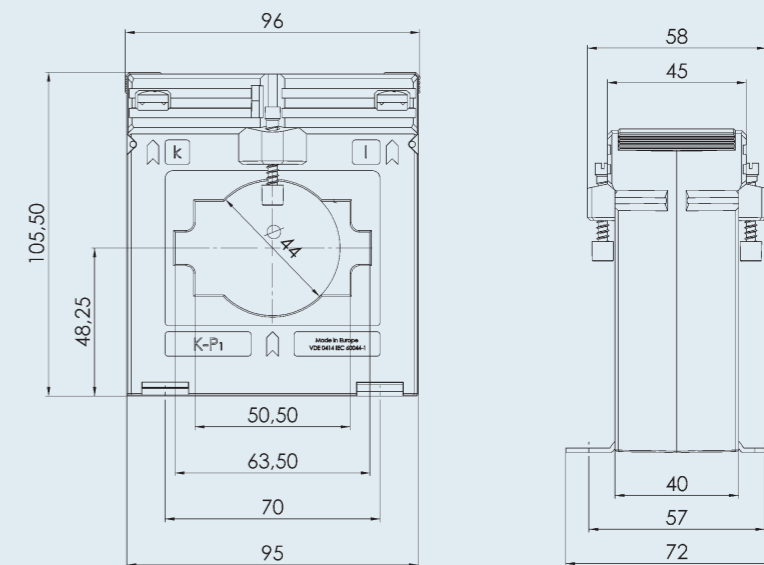
Transformers with other transmission ratios, primary current/secondary current power, and accuracy classes by request.
Please note that all current transformers are not eligible for returns or exchanges.

multict ASK bushing type current transformer

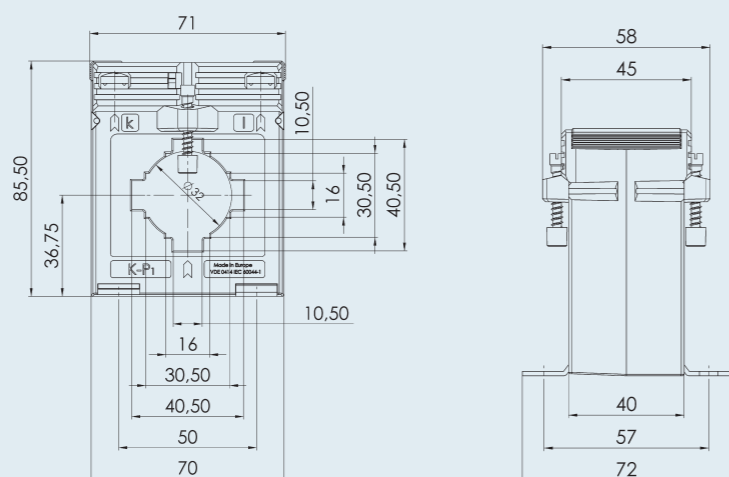
multict ASK 31.3 A, B



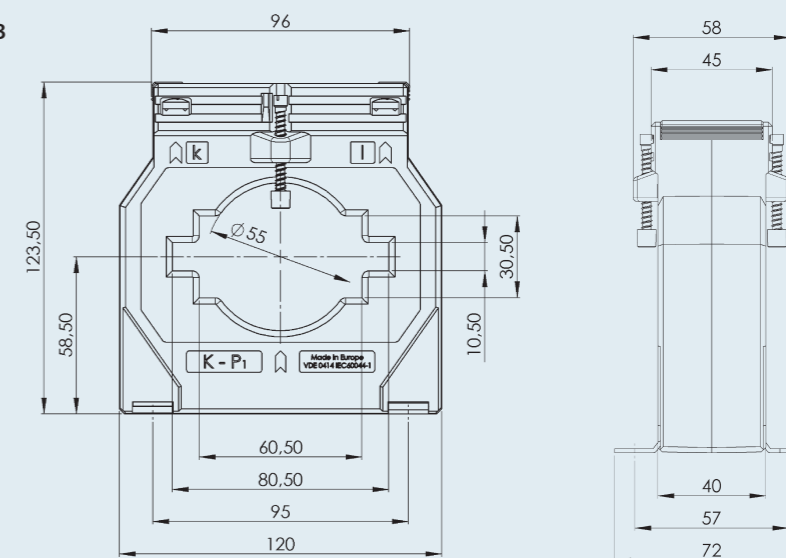
multict ASK 61.4 A, B



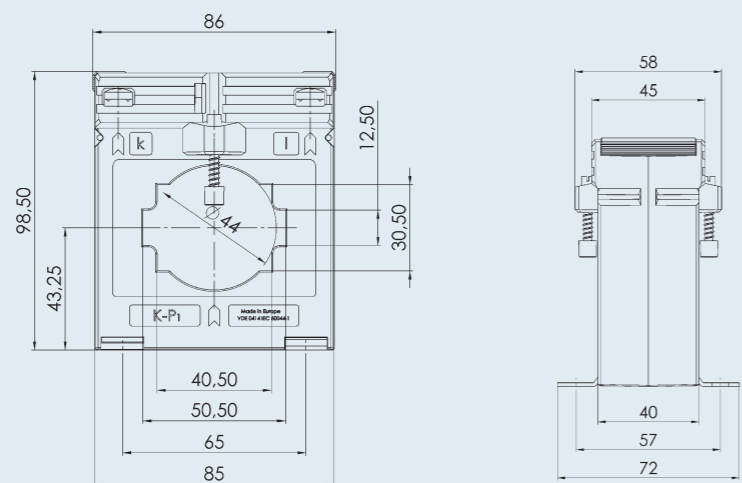
multict ASK 41.4 A, B



multict ASK 81.4 A, B



multict ASK 51.4 A, B



multict ASK 101.4 A, B

