

## multict CTM7 miniature bushing type current transformer

### Application:

An affordable and compact alternative for setting up new systems.



## multict CTM7 miniature bushing type current transformer

**Highlights** → Maintenance-free

→ Primary rated current 32 A – 64 A

→ Secondary rated current 1 A

→ Accuracy class 1

An overall view of **technical details** can be found on the following page.

Bushing type current transformers in the **multict CTM7** series are inductive single-wire current transformers that work according to the transformer principle. They serve to adjust the primary measuring parameters for the nominal input values of connected measuring devices.

Because of the measuring principle used, these current transformers are only suitable for use in AC networks.

Current transformers in the multict CTM7 series require no maintenance and are designed for primary rated currents between 32 A and 64 A with a secondary rated current of 1 A, in accuracy class 1.

Also suitable for use in data centers thanks to its low current consumption.

Can be installed directly on 3-phase circuit breaker (center-to-center distance: 17.5 mm).

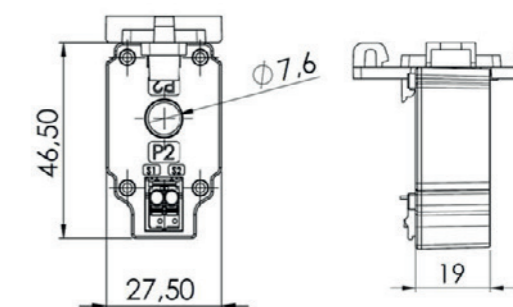
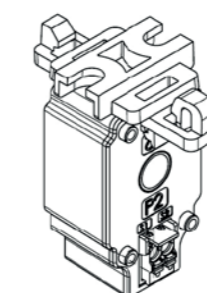
Quick and easy assembly; transformers L1 and L3 can be snapped onto the DIN rail with optional snap-on mounting, and transformer L2 is plugged onto the other two transformers.

### Technical Data

Maximum operating voltage $U_m$	0.72 kV
Rated continuous thermal current $I_{cth}$	$1.0 \times I_n$
Rated short-time thermal current $I_{th}$	$60 \times I_n$ , 1 sec (max. 100 kA)
Rated surge current $I_{dyn}$	$2,5 \times I_{th}$
Overcurrent limiting factor	FS 5
Rated frequency	50 (60) Hz ( $16 \frac{2}{3}$ up to 400 Hz by request)
Insulation class	E
Insulation test voltages	3 kV, 1 min, $U_{eff}$ , 50 Hz ( $U_m \leq 0,72$ kV)
Working temperature range	$-5^\circ\text{C} \leq T \leq +50^\circ\text{C}$
Storage temperature range	$-25^\circ\text{C} \leq T \leq +70^\circ\text{C}$
Applied norms	DIN EN 61869/1+2, DIN 42600-1, DIN 42600-2
Unbreakable plastic housing made of polycarbonate	
Flame-resistant and self-extinguishing in accordance with UL94-V0	
Nickel-plated secondary clamps with plus/minus screws (2 Nm)	

### multict CTM7

A	VA	Secondary current 1A	
		Class 1	
32	0.2	23471	
35	0.2	23472	
40	0.3	23473	
50	0.4	23474	
60	0.4	23475	
64	0.5	23476	



#### Dimensions:

Circular conductors:  
7.6 mm

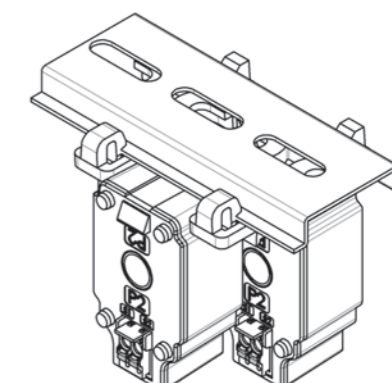
Width: 27.5 mm

Height: 46.5 mm

Total depth: 19.0 mm



Snap-on mounting for standard rail assembly multict CTM7  
Item No. 23477



Transformers with other transmission ratios, primary current/secondary current power, and accuracy classes by request.  
Please note that all current transformers are not eligible for returns or exchanges.