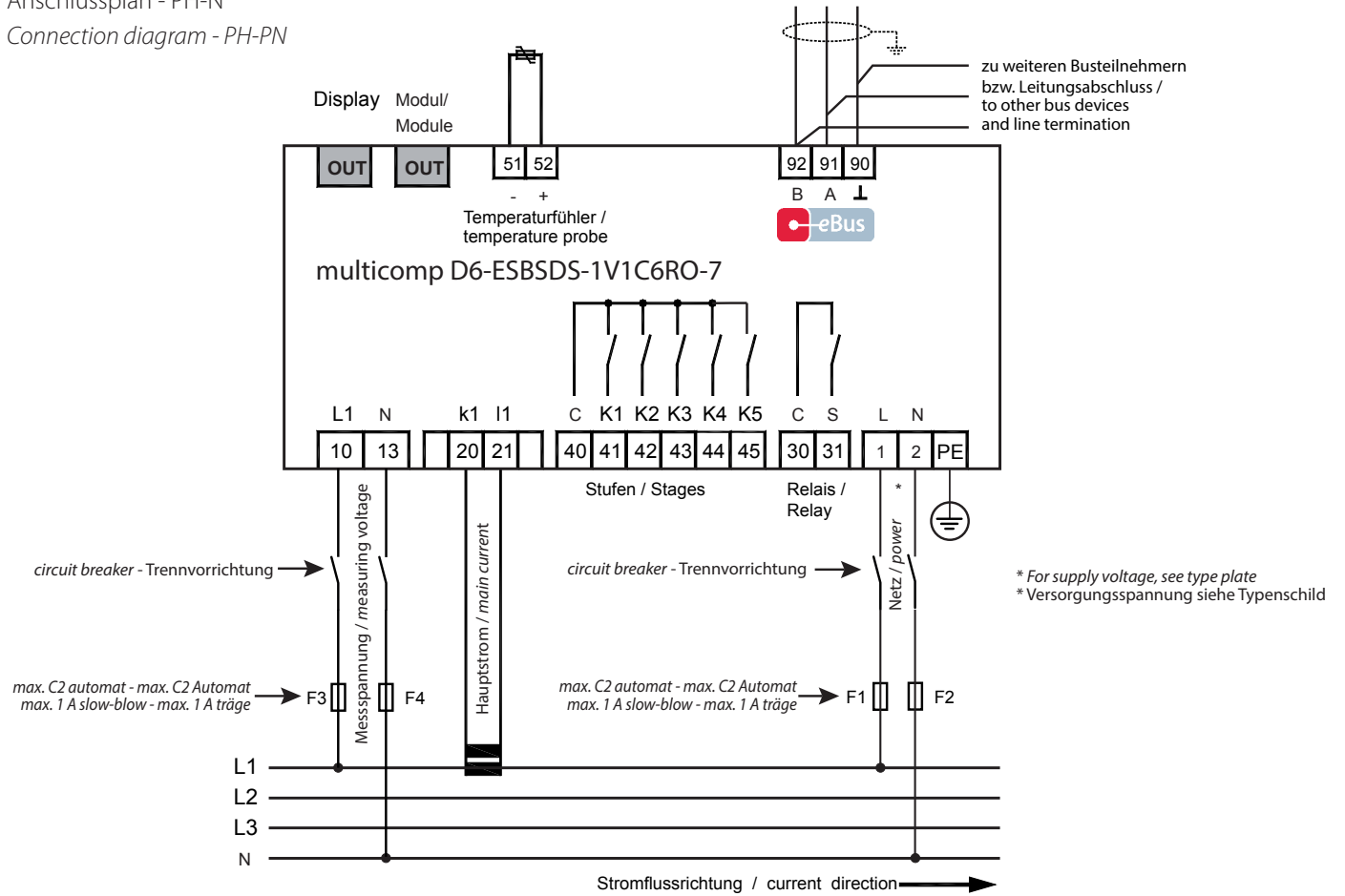


Anschlussplan - PH-N
 Connection diagram - PH-PN



Anschlussplan - PH-PH
 Connection diagram - PH-PH

