

multict KBR Kabelbaustromwandler, teilbar

Anwendung:

Kabelbaustromwandler finden ihr Haupteinsatzgebiet beim nachträglichen Einbau, um das Auftrennen der Primärleiter zu vermeiden.



multict KBR 42

multict KBR Kabelbaustromwandler, teilbar

Highlights

- Einfache und sichere Anbringung
- Eignet sich aufgrund seiner Abmessungen und des einfachen Handlings besonders für den Einsatz an schwer zugänglichen Stellen oder bei begrenztem Platzangebot
- Dank „Klick“-System ist eine „einhändige“ Montage möglich
- Sekundärstrom 1 A oder 5 A

Eine Übersicht der **technischen Details** finden Sie auf der nächsten Seite.

multict KBR haben einen teilbaren Messkern und sind für primäre Nennströme von 50 A bis 1000 A, Sekundär-Nennstrom 1 A oder 5 A, in den Genauigkeitsklassen 0,5, 1 und 3 bestellbar.

Das teilbare Messsystem ermöglicht die einfache, nachträgliche Installation in bereits vorhandene Anlagen, bei minimalem Montageaufwand.

Zur Installation wird der Verriegelungsmechanismus des Wandlers geöffnet, dieser um den Primärleiter gelegt und wieder hörbar eingerastet. Nach Anschluss der Sekundärleitungen ist die Messanordnung sofort betriebsbereit.

Das „Klick“-System in Verbindung mit den Fixierspangen ermöglicht die „einhändige“ Montage



Technische Daten

| | |
|---|--|
| Maximale Betriebsspannung U_m | 0,72 kV |
| Thermischer Bemessungs-Dauerstrom I_{cth} | $1,2 \times I_n$ (bei KBR 18, 32, 44); $1,0 \times I_n$ (andere Typen) |
| Thermischer Bemessungs-Kurzzeitstrom I_{th} | $60 \times I_n$, 1 sek (max. 100 kA) |
| Bemessungs-Stoßstrom I_{dyn} | $2,5 \times I_{th}$ |
| Überstrom-Begrenzungsfaktor | FS 5 bzw. FS 10 (typenabhängig) |
| Nennfrequenz | 50 (60) Hz ($16 \frac{2}{3}$ bis 400 Hz auf Anfrage) |
| Isolierstoffklasse | E |
| Isolationsprüfspannungen | 3 kV, 1 min, U_{eff} 50 Hz ($U_m \leq 0,72$ kV) |
| Arbeitstemperaturbereich | $-5^\circ\text{C} \leq T \leq +50^\circ\text{C}$ |
| Lagertemperaturbereich | $-25^\circ\text{C} \leq T \leq +70^\circ\text{C}$ |
| Angewendete Normen | DIN EN 61869/1+2, DIN 42600-1, DIN 42600-2 |
| Bruchfestes Kunststoffgehäuse aus Polyamid | |
| Schwer entflammbar und selbstverlöschend nach UL94-V0 | |
| Vernickelte Sekundärklemmen mit Plus-Minus-Schrauben (2 Nm) | |

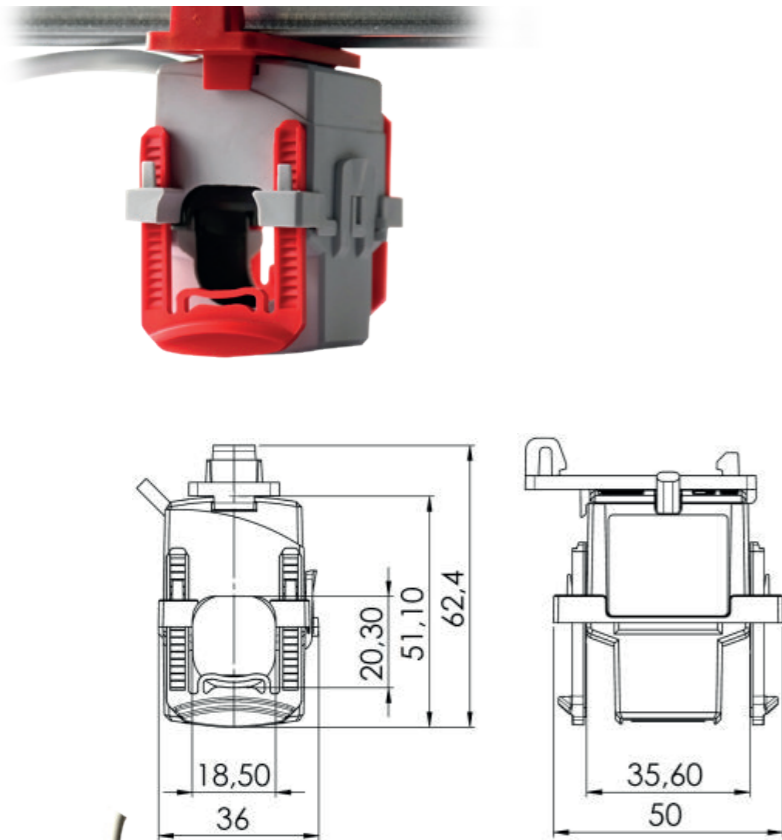
Auswahl-Matrix

| | Gehäuse (HxBxT) | Rund-leiter Ø | Strombereich |
|------------------------|------------------|---------------|----------------|
| multict KBR 18S | 63 x 36 x 50 mm | 18,5 mm | 60 ... 250 A |
| multict KBR 18 | 65 x 42 x 68 mm | 18,5 mm | 50 ... 250 A |
| multict KBR 18L | 81 x 49 x 59 mm | 18,4 mm | 100 ... 250 A |
| multict KBR 28 | 80 x 49 x 59 mm | 27,9 mm | 200 ... 500 A |
| multict KBR 32 | 97 x 60 x 90 mm | 32,5 mm | 100 ... 600 A |
| multict KBR 42 | 97 x 60 x 90 mm | 42,4 mm | 250 ... 1000 A |
| multict KBR 42L | 139 x 67 x 69 mm | 2 x 42,4 mm | 250 ... 1000 A |
| multict KBR 44 | 139 x 67 x 69 mm | 44 mm | 250 ... 1000 A |

Länge der Anschlussleitung (farblich codiert)

| | | |
|-----------------|--|--|
| Sek. 1A: | 2,5 m, Querschnitt 2x 0,75 mm ² | KBR 18; KBR 32; KBR 44 |
| | 2,5 m, Querschnitt 2x 0,50 mm ² | KBR 18S; KBR 18L; KBR 28; KBR 42; KBR 42L |
| Sek. 5A: | 0,5 m, Querschnitt 2x 1,50 mm ² | KBR 18L; KBR 28; KBR 32; KBR 44; KBR 42; KBR 42L |

multict KBR Kabelbaustromwandler, teilbar

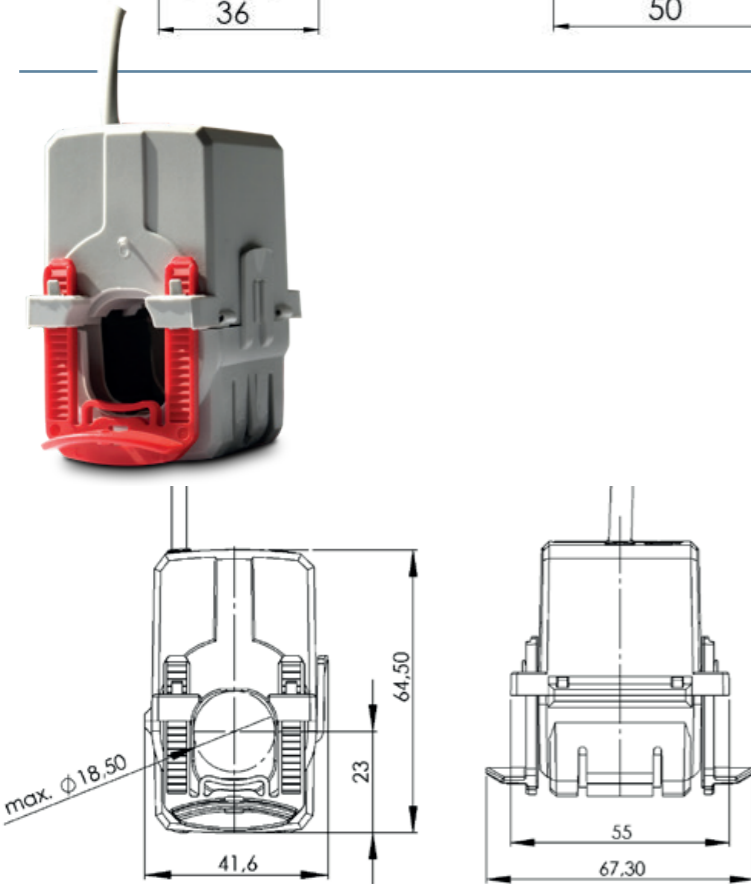


multict KBR 18S

| A | VA | Sekundärstrom 1A | |
|-----|------|------------------|----------|
| | | Klasse 3 | Klasse 1 |
| 60 | 0,4 | 23217 | — |
| 75 | 0,5 | 23218 | — |
| 100 | 0,75 | 23219 | — |
| 125 | 0,75 | 23220 | — |
| 150 | 1 | 23221 | — |
| 200 | 0,4 | — | 23215 |
| | 1,5 | 23222 | — |
| 250 | 0,5 | — | 23216 |
| | 2 | 23223 | — |



Schnappbefestigung für Normschienenmontage multict 18S
Artikel-Nr. 23478



multict KBR 18

| A | VA | Sekundärstrom 1A | |
|-----|------|------------------|----------|
| | | Klasse 3 | Klasse 1 |
| 50 | 1 | 23226 | — |
| 75 | 1 | 23227 | — |
| 100 | 1,25 | 23228 | — |
| 125 | 1,5 | 23229 | — |
| 150 | 2 | 23230 | — |
| 200 | 1 | — | — |
| | 3 | 23231 | — |
| 250 | 1,5 | — | — |
| | 4 | 23232 | — |

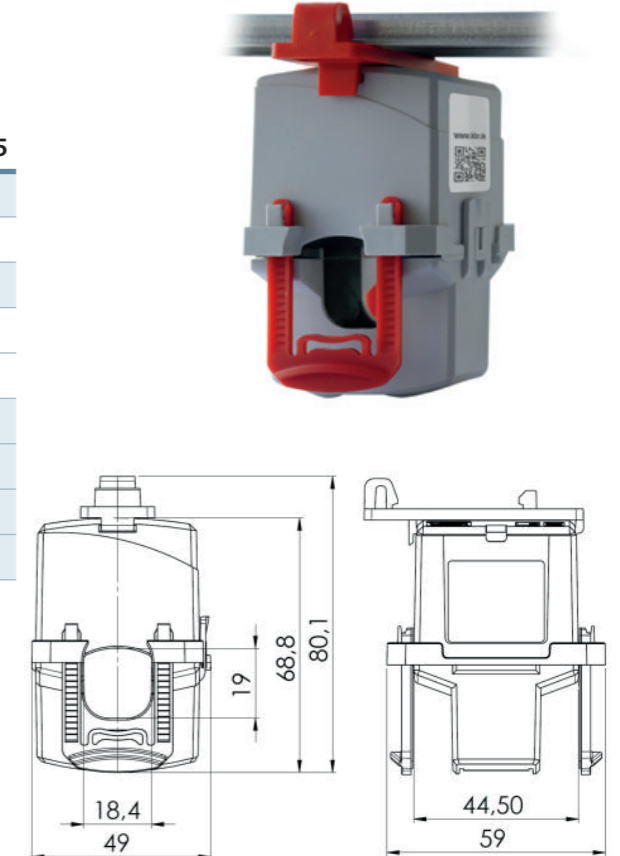
Wandler mit anderen Übersetzungen, Leistungen Primärstrom/Sekundärstrom und Genauigkeitsklassen auf Anfrage.
Bitte beachten Sie, dass alle Stromwandler von der Rückgabe bzw. vom Umtausch ausgeschlossen sind.

multict KBR 18L

| A | VA | Sekundärstrom 1A | | Sekundärstrom 5A | |
|-----|-----|------------------|------------|------------------|------------|
| | | Klasse 1 | Klasse 0,5 | Klasse 1 | Klasse 0,5 |
| 100 | 0,3 | 23239 | — | — | — |
| 125 | 0,5 | 23240 | — | — | — |
| 150 | 1 | 23241 | — | 23234 | — |
| 200 | 0,2 | — | 23237 | — | — |
| | 1,5 | 23242 | — | 23235 | — |
| 250 | 0,5 | — | 23238 | — | — |
| | 1 | — | — | — | 23233 |
| | 2 | — | — | 23236 | — |
| | 2,5 | 23243 | — | — | — |



Schnappbefestigung für Normschienenmontage multict KBR 18L, multict KBR 28 Artikel-Nr. 23479

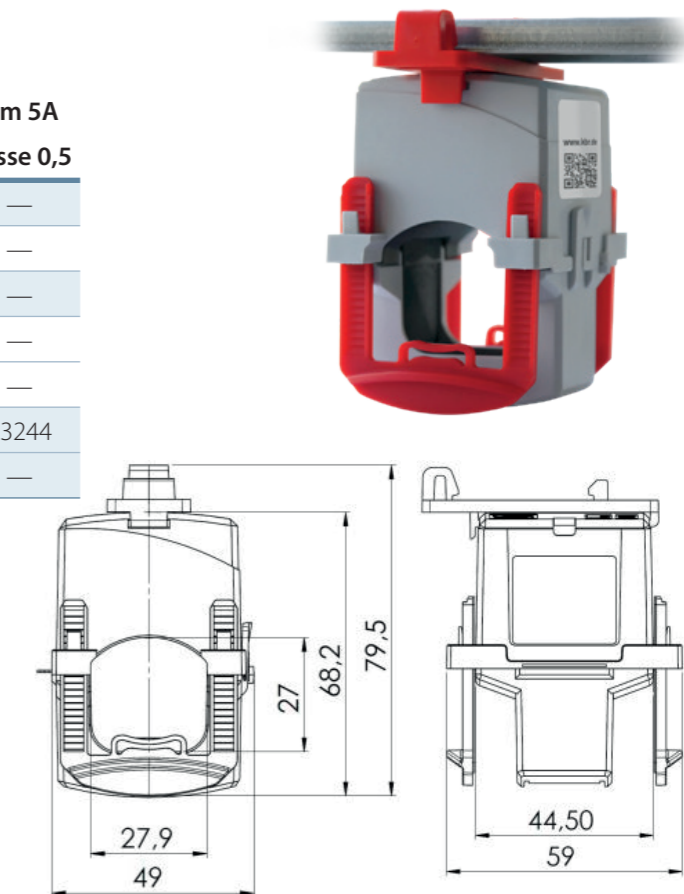


multict KBR 28

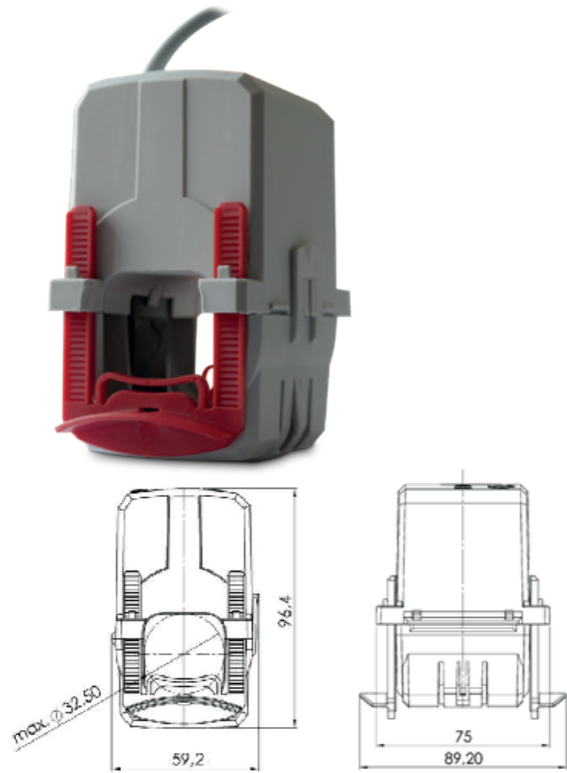
| A | VA | Sekundärstrom 1A | | Sekundärstrom 5A | |
|-----|-----|------------------|------------|------------------|------------|
| | | Klasse 1 | Klasse 0,5 | Klasse 1 | Klasse 0,5 |
| 200 | 0,3 | 23251 | — | — | — |
| 250 | 1 | 23252 | — | 23245 | — |
| 300 | 1,5 | 23253 | — | 23246 | — |
| 400 | 0,5 | — | 23249 | — | — |
| | 2,5 | 23254 | — | 23247 | — |
| 500 | 1 | — | 23250 | — | 23244 |
| | 3 | 23255 | — | 23248 | — |



Schnappbefestigung für Normschienenmontage multict KBR 18L, multict KBR 28 Artikel-Nr. 23479



multict KBR Kabelbaustromwandler, teilbar

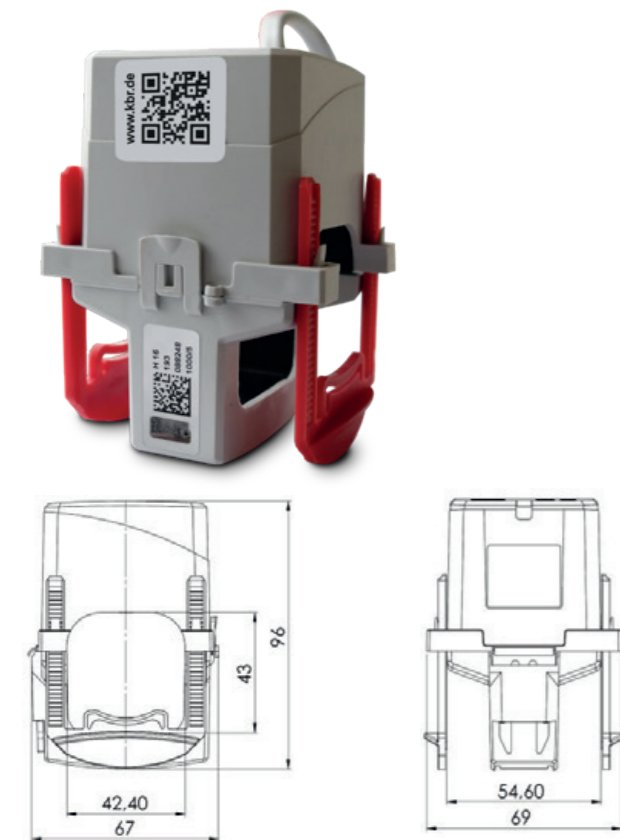
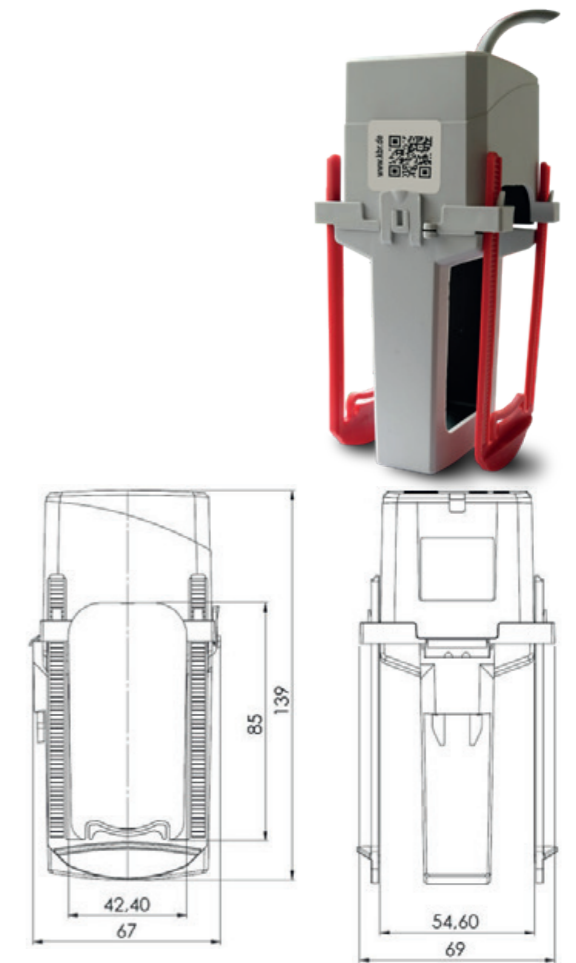


multict KBR 32

| A | VA | Sekundärstrom 1A | | Sekundärstrom 5A | |
|-----|-----|------------------|----------|------------------|----------|
| | | Klasse 3 | Klasse 1 | Klasse 3 | Klasse 1 |
| 100 | 1,5 | — | — | 23260 | — |
| | 2,5 | 23269 | — | — | — |
| 125 | 2,5 | — | — | 23261 | — |
| | 3 | 23270 | — | — | — |
| 150 | 3 | 23271 | — | 23262 | — |
| 200 | 3 | — | — | 23263 | — |
| | 5 | 23272 | — | — | — |
| 250 | 3 | — | — | 23264 | — |
| | 5 | 23273 | — | — | — |
| 300 | 2,5 | — | — | — | 23256 |
| | 5 | — | 23265 | — | — |
| 400 | 5 | — | 23266 | — | 23257 |
| 500 | 5 | — | 23267 | — | 23258 |
| 600 | 5 | — | 23268 | — | 23259 |

multict KBR 42L

| A | VA | Sekundärstrom 1A | | Sekundärstrom 5A | |
|------|-----|------------------|------------|------------------|------------|
| | | Klasse 1 | Klasse 0,5 | Klasse 1 | Klasse 0,5 |
| 250 | 2,5 | 23316 | — | — | — |
| 300 | 2,5 | 23317 | — | 23303 | — |
| 400 | 2,5 | — | 23310 | — | — |
| | 5 | 23318 | — | 23304 | — |
| 500 | 2,5 | — | 23311 | — | — |
| | 5 | 23319 | — | 23305 | — |
| 600 | 2,5 | — | 23312 | — | 23399 |
| | 5 | 23320 | — | 23306 | — |
| 750 | 2,5 | — | 23313 | — | 23300 |
| | 5 | 23321 | — | 23307 | — |
| 800 | 2,5 | — | 23314 | — | 23301 |
| | 5 | 23322 | — | 23308 | — |
| 1000 | 2,5 | — | 23315 | — | 23302 |
| | 5 | 23323 | — | 23309 | — |



multict KBR 42

| A | VA | Sekundärstrom 1A | | Sekundärstrom 5A | |
|------|-----|------------------|------------|------------------|------------|
| | | Klasse 1 | Klasse 0,5 | Klasse 1 | Klasse 0,5 |
| 250 | 2,5 | 23291 | — | — | — |
| 300 | 2,5 | 23292 | — | 23278 | — |
| 400 | 2,5 | — | 23285 | — | — |
| | 5 | 23293 | — | 23279 | — |
| 500 | 2,5 | — | 23286 | — | — |
| | 5 | 23294 | — | 23280 | — |
| 600 | 2,5 | — | 23287 | — | 23274 |
| | 5 | 23295 | — | 23281 | — |
| 750 | 2,5 | — | 23288 | — | 23275 |
| | 5 | 23296 | — | 23282 | — |
| 800 | 2,5 | — | 23289 | — | 23276 |
| | 5 | 23297 | — | 23283 | — |
| 1000 | 2,5 | — | 23290 | — | 23277 |
| | 5 | 23298 | — | 23284 | — |

multict KBR 44

| A | VA | Sekundärstrom 1A | | Sekundärstrom 5A | |
|------|-----|------------------|----------|------------------|----------|
| | | Klasse 1 | Klasse 1 | Klasse 1 | Klasse 1 |
| 250 | 1,5 | — | — | 23324 | — |
| | 2,5 | 23332 | — | — | — |
| 300 | 2,5 | 23333 | — | 23325 | — |
| 400 | 5 | 23334 | — | 23326 | — |
| 500 | 5 | 23335 | — | 23327 | — |
| 600 | 5 | 23336 | — | 23328 | — |
| 750 | 5 | 23337 | — | 23329 | — |
| 800 | 5 | 23338 | — | 23330 | — |
| 1000 | 5 | 23339 | — | 23331 | — |



Wandler mit anderen Übersetzungen, Leistungen Primärstrom/Sekundärstrom und Genauigkeitsklassen auf Anfrage.
Bitte beachten Sie, dass alle Stromwandler von der Rückgabe bzw. vom Umtausch ausgeschlossen sind.

multict KBR core balanced current transformer, split

Application:

Core balanced current transformers are mainly used in subsequent installation to prevent the primary conductors from separating.



multict KBR 42

multict KBR core balanced current transformer, split

Highlights

- Safe and easy attachment
- Suitable for use in places that are hard to reach or have limited space, thanks to its dimensions and easy handling
- Can be installed "singlehandedly" thanks to the "click" system
- Secondary current 1 A or 5 A

An overall view of **technical details** can be found on the following page.

multict KBR has a split measuring core and can be ordered for primary rated currents between 50 A and 1000 A, secondary rated current 1 A and 5 A, in accuracy classes 0.5, 1, and 3.

The split measurement system enables easy subsequent installation in already existing systems with minimal installation effort.

To install, the transformer's locking mechanism is opened, it is laid around the primary conductor, and pushed back into place with an audible click. The measuring assembly is ready to use immediately after connecting the secondary conductors.

The "click" system combined with the fixing clips makes it possible to install "singlehandedly"



Technical Data

| | |
|---|--|
| Maximum operating voltage U_m | 0.72 kV |
| Rated continuous thermal current I_{cth} | $1.2 \times I_n$ (KBR 18, 32, 44); $1.0 \times I_n$ (other models) |
| Rated short-time thermal current I_{th} | $60 \times I_n$, 1 sec (max. 100 kA) |
| Rated surge current I_{dyn} | $2.5 \times I_{th}$ |
| Overcurrent limiting factor | FS 5 or FS 10 (depending on type) |
| Rated frequency | 50 (60) Hz ($16 \frac{2}{3}$ up to 400 Hz by request) |
| Insulation class | E |
| Insulation test voltages | 3 kV, 1 min, U_{eff} 50 Hz ($U_m \leq 0.72$ kV) |
| Working temperature range | $-5^\circ\text{C} \leq T \leq +50^\circ\text{C}$ |
| Storage temperature range | $-25^\circ\text{C} \leq T \leq +70^\circ\text{C}$ |
| Applied norms | DIN EN 61869/1+2, DIN 42600-1, DIN 42600-2 |
| Unbreakable plastic housing made of polyamide | |
| Flame-resistant and self-extinguishing in accordance with UL94-V0 | |
| Nickel-plated secondary clamps with plus/minus screws (2 Nm) | |

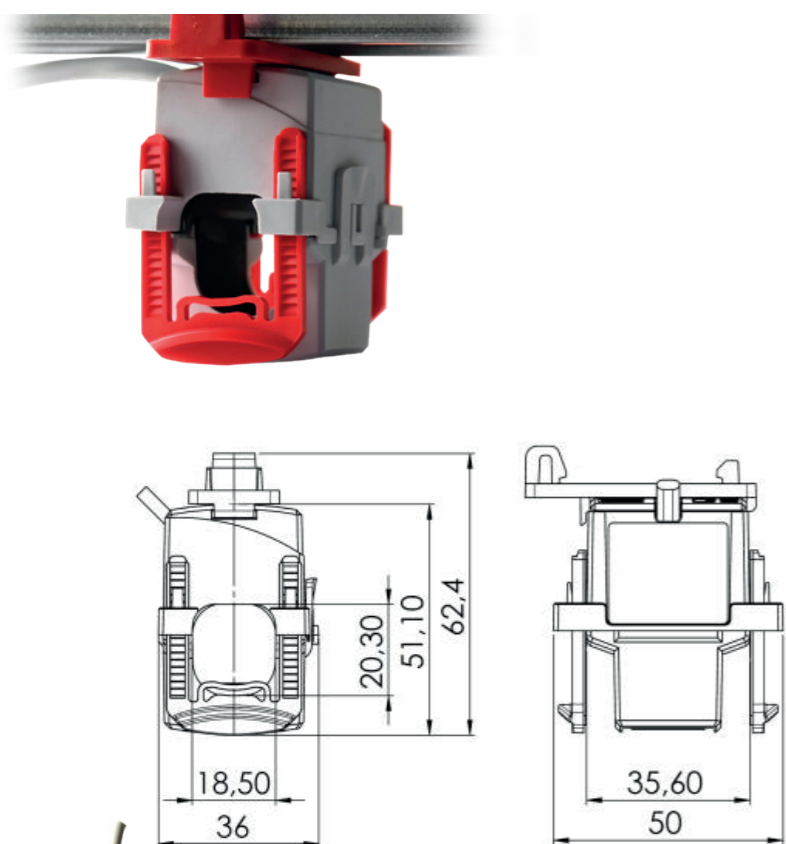
Selection matrix

| | Housing (Hx-WxD) | Circular conductor \varnothing | Current range |
|------------------------|------------------|----------------------------------|----------------|
| multict KBR 18S | 63 x 36 x 50 mm | 18.5 mm | 60 ... 250 A |
| multict KBR 18 | 65 x 42 x 68 mm | 18.5 mm | 50 ... 250 A |
| multict KBR 18L | 81 x 49 x 59 mm | 18.4 mm | 100 ... 250 A |
| multict KBR 28 | 80 x 49 x 59 mm | 27.9 mm | 200 ... 500 A |
| multict KBR 32 | 97 x 60 x 90 mm | 32.5 mm | 100 ... 600 A |
| multict KBR 42 | 97 x 60 x 90 mm | 42.4 mm | 250 ... 1000 A |
| multict KBR 42L | 139 x 67 x 69 mm | 2 x 42.4 mm | 250 ... 1000 A |
| multict KBR 44 | 139 x 67 x 69 mm | 44 mm | 250 ... 1000 A |

Length of connecting cable (color-coded)

| | | |
|-----------------|---|--|
| Sec. 1A: | 2.5m, cross-section $2 \times 0.75 \text{ mm}^2$ | KBR 18; KBR 32; KBR 44 |
| | 2.5m, cross-section $2 \times 0.50 \text{ mm}^2$ | KBR 18S; KBR 18L; KBR 28; KBR 42; KBR 42L |
| Sec. 5A: | 0.5 m, cross-section $2 \times 1.50 \text{ mm}^2$ | KBR 18L; KBR 28; KBR 32; KBR 44; KBR 42; KBR 42L |

multict KBR core balanced current transformer, split



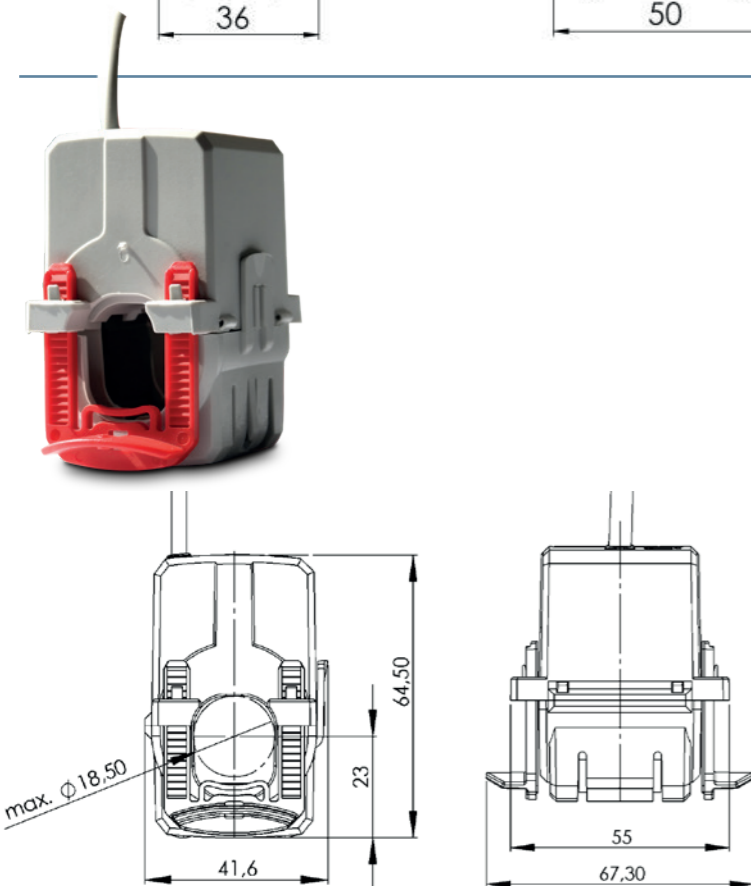
multict KBR 18S

| A | VA | Secondary current 1A | |
|-----|------|----------------------|---------|
| | | Class 3 | Class 1 |
| 60 | 0.4 | 23217 | — |
| 75 | 0.5 | 23218 | — |
| 100 | 0.75 | 23219 | — |
| 125 | 0.75 | 23220 | — |
| 150 | 1 | 23221 | — |
| | 0.4 | — | 23215 |
| 200 | 1.5 | 23222 | — |
| | 0.5 | — | 23216 |
| 250 | 2 | 23223 | — |



Snap-on mounting for standard rail assembly multict 18S

Item No. 23478



multict KBR 18

| A | VA | Secondary current 1A | |
|-----|------|----------------------|---------|
| | | Class 3 | Class 1 |
| 50 | 1 | 23226 | — |
| 75 | 1 | 23227 | — |
| 100 | 1.25 | 23228 | — |
| 125 | 1.5 | 23229 | — |
| 150 | 2 | 23230 | — |
| | 1 | — | — |
| 200 | 3 | 23231 | — |
| | 1.5 | — | — |
| 250 | 4 | 23232 | — |

Transformers with other transmission ratios, primary current/secondary current power, and accuracy classes by request. Please note that all current transformers are not eligible for returns or exchanges.

multict KBR 18L

| A | VA | Secondary current 1A | | Secondary current 5A | |
|-----|-----|----------------------|-----------|----------------------|-----------|
| | | Class 1 | Class 0.5 | Class 1 | Class 0.5 |
| 100 | 0.3 | 23239 | — | — | — |
| 125 | 0.5 | 23240 | — | — | — |
| 150 | 1 | 23241 | — | 23234 | — |
| | 0.2 | — | 23237 | — | — |
| 200 | 1.5 | 23242 | — | 23235 | — |
| | 0.5 | — | 23238 | — | — |
| 250 | 1 | — | — | — | 23233 |
| | 2 | — | — | 23236 | — |
| | 2.5 | 23243 | — | — | — |



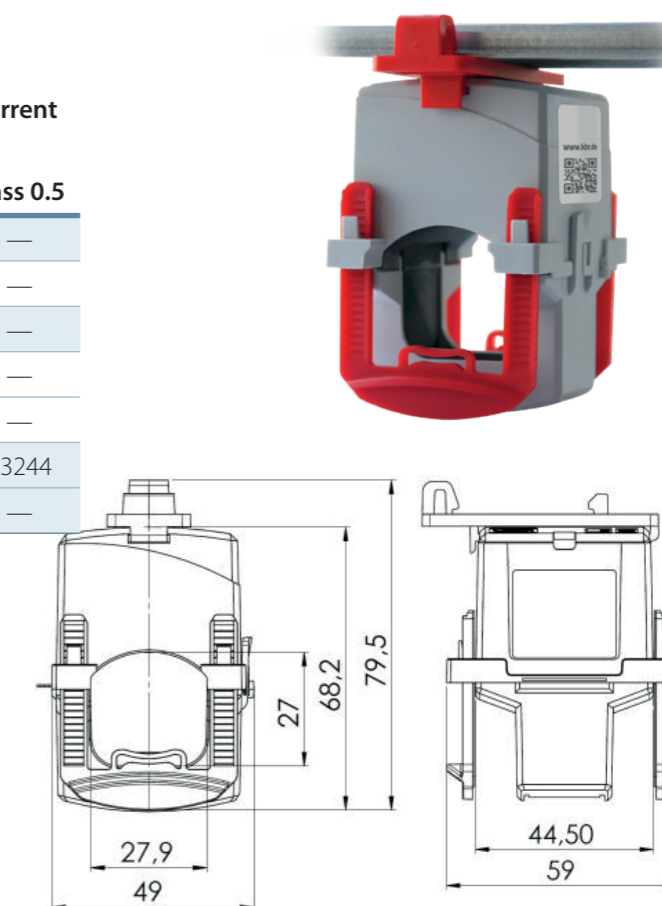
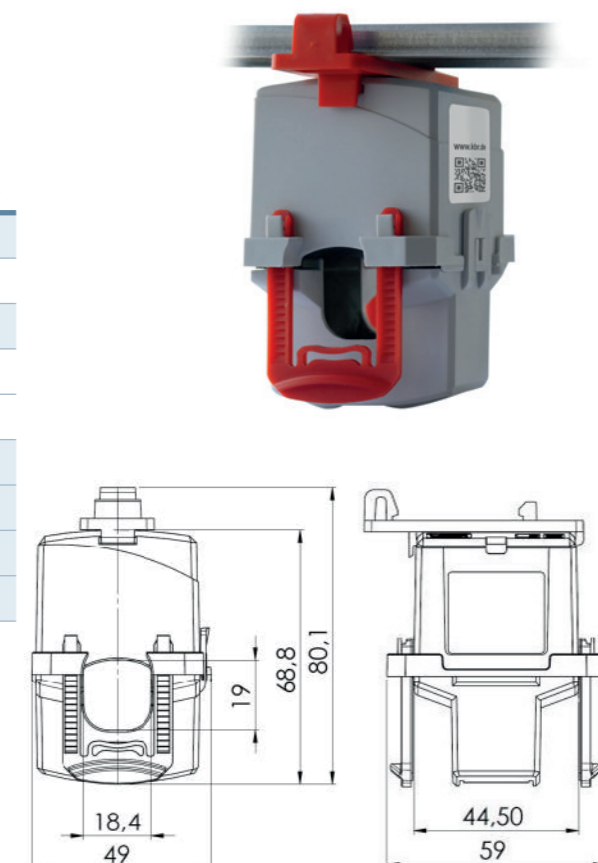
Snap-on mounting for standard rail assembly multict KBR 18L, multict KBR 28 Artikel-Nr. 23479

multict KBR 28

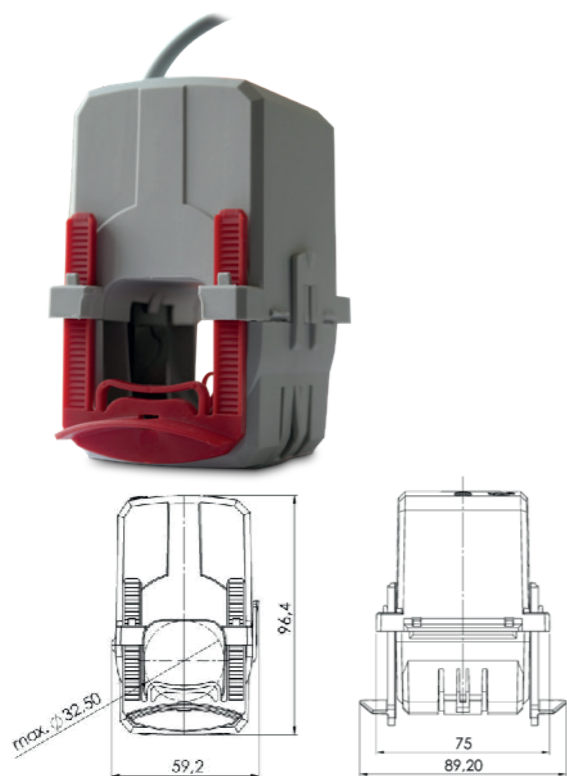
| A | VA | Secondary current 1A | | Secondary current 5A | |
|-----|-----|----------------------|-----------|----------------------|-----------|
| | | Class 1 | Class 0.5 | Class 1 | Class 0.5 |
| 200 | 0.3 | 23251 | — | — | — |
| 250 | 1 | 23252 | — | 23245 | — |
| 300 | 1.5 | 23253 | — | 23246 | — |
| | 0.5 | — | 23249 | — | — |
| 400 | 2.5 | 23254 | — | 23247 | — |
| | 1 | — | 23250 | — | 23244 |
| 500 | 3 | 23255 | — | 23248 | — |



Snap-on mounting for standard rail assembly multict KBR 18L, multict KBR 28 Artikel-Nr. 23479



multict KBR core balanced current transformer, split

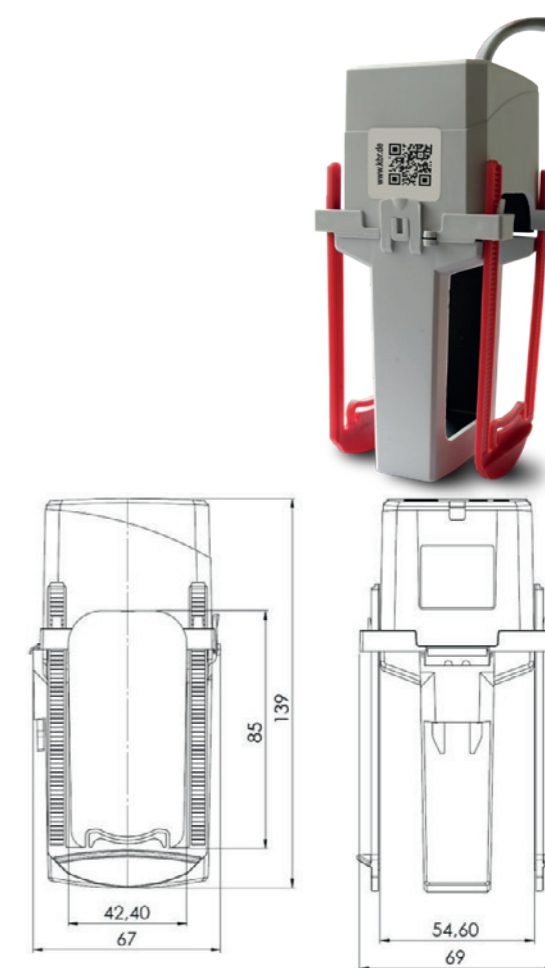


multict KBR 32

| A | VA | Secondary current 1A | | Secondary current 5A | |
|-----|-----|----------------------|---------|----------------------|---------|
| | | Class 3 | Class 1 | Class 3 | Class 1 |
| 100 | 1.5 | — | — | 23260 | — |
| | 2.5 | 23269 | — | — | — |
| 125 | 2.5 | — | — | 23261 | — |
| | 3 | 23270 | — | — | — |
| 150 | 3 | 23271 | — | 23262 | — |
| 200 | 3 | — | — | 23263 | — |
| | 5 | 23272 | — | — | — |
| 250 | 3 | — | — | 23264 | — |
| | 5 | 23273 | — | — | — |
| 300 | 2.5 | — | — | — | 23256 |
| | 5 | — | 23265 | — | — |
| 400 | 5 | — | 23266 | — | 23257 |
| 500 | 5 | — | 23267 | — | 23258 |
| 600 | 5 | — | 23268 | — | 23259 |

multict KBR 42L

| A | VA | Secondary current 1A | | Secondary current 5A | |
|------|-----|----------------------|-----------|----------------------|-----------|
| | | Class 1 | Class 0.5 | Class 1 | Class 0.5 |
| 250 | 2.5 | 23316 | — | — | — |
| 300 | 2.5 | 23317 | — | 23303 | — |
| 400 | 2.5 | — | 23310 | — | — |
| | 5 | 23318 | — | 23304 | — |
| 500 | 2.5 | — | 23311 | — | — |
| | 5 | 23319 | — | 23305 | — |
| 600 | 2.5 | — | 23312 | — | 23399 |
| | 5 | 23320 | — | 23306 | — |
| 750 | 2.5 | — | 23313 | — | 23300 |
| | 5 | 23321 | — | 23307 | — |
| 800 | 2.5 | — | 23314 | — | 23301 |
| | 5 | 23322 | — | 23308 | — |
| 1000 | 2.5 | — | 23315 | — | 23302 |
| | 5 | 23323 | — | 23309 | — |

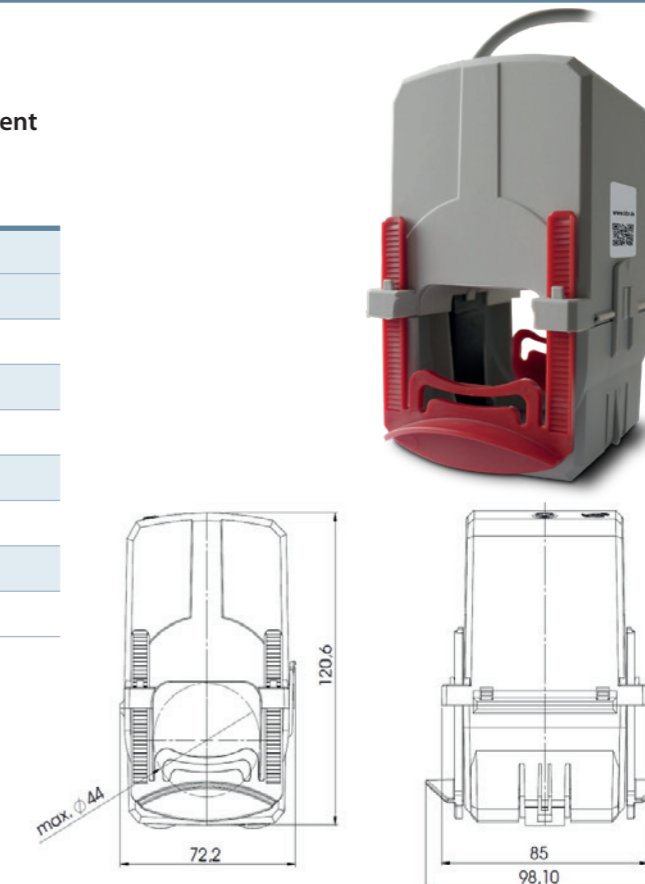
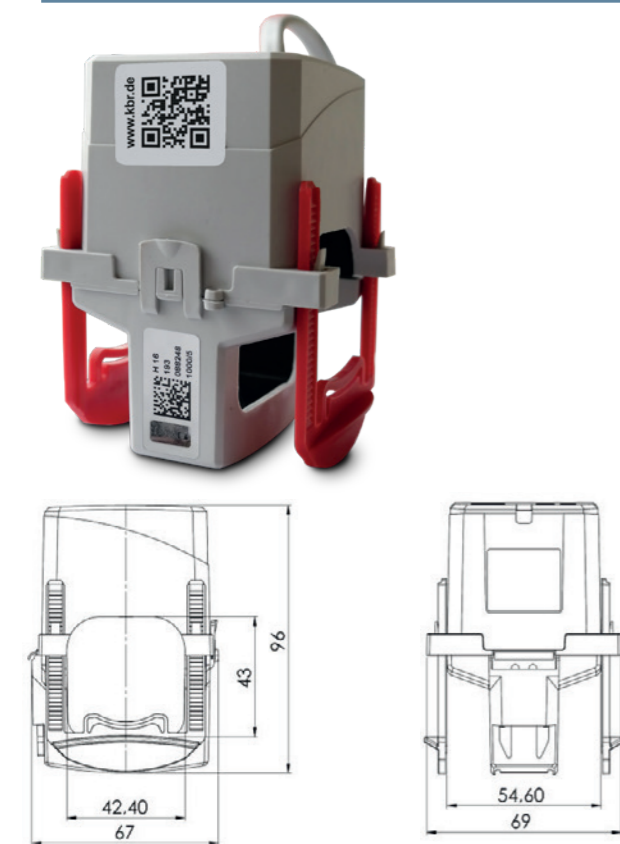


multict KBR 42

| A | VA | Secondary current 1A | | Secondary current 5A | |
|------|-----|----------------------|-----------|----------------------|-----------|
| | | Class 1 | Class 0.5 | Class 1 | Class 0.5 |
| 250 | 2.5 | 23291 | — | — | — |
| 300 | 2.5 | 23292 | — | 23278 | — |
| 400 | 2.5 | — | 23285 | — | — |
| | 5 | 23293 | — | 23279 | — |
| 500 | 2.5 | — | 23286 | — | — |
| | 5 | 23294 | — | 23280 | — |
| 600 | 2.5 | — | 23287 | — | 23274 |
| | 5 | 23295 | — | 23281 | — |
| 750 | 2.5 | — | 23288 | — | 23275 |
| | 5 | 23296 | — | 23282 | — |
| 800 | 2.5 | — | 23289 | — | 23276 |
| | 5 | 23297 | — | 23283 | — |
| 1000 | 2.5 | — | 23290 | — | 23277 |
| | 5 | 23298 | — | 23284 | — |

multict KBR 44

| A | VA | Secondary current 1A | Secondary current 5A |
|------|-----|----------------------|----------------------|
| | | Class 1 | Class 1 |
| 250 | 1.5 | — | 23324 |
| | 2.5 | 23332 | — |
| 300 | 2.5 | 23333 | 23325 |
| 400 | 5 | 23334 | 23326 |
| 500 | 5 | 23335 | 23327 |
| 600 | 5 | 23336 | 23328 |
| 750 | 5 | 23337 | 23329 |
| 800 | 5 | 23338 | 23330 |
| 1000 | 5 | 23339 | 23331 |



Transformers with other transmission ratios, primary current/secondary current power, and accuracy classes by request. Please note that all current transformers are not eligible for returns or exchanges.