

multimax as a Ready-to-use System



Complete Set: Energy Optimization System in a Wall Cabinet

- Highlights**
- Complete system in a wall cabinet
 - All components wired with terminals
 - Inputs and outputs already programmed in base module
 - Configure according to individual specifications
 - Integrated KBR eBUS and Modbus interface

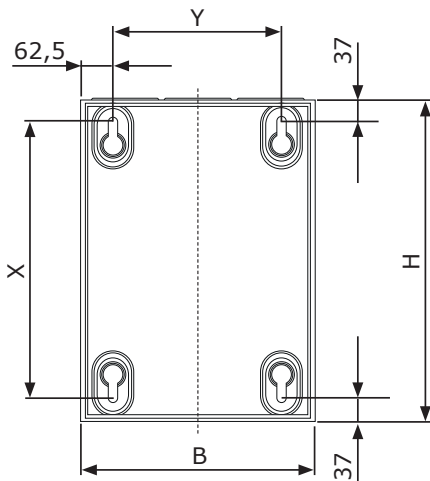
For in-depth information and technical details on the **multisio**, **multimes** and **multisys** expansion modules, please visit our website, www.kbr.de.
If you have any questions, feel free to call us: **+49 (0) 9122 6373-0**

The **multimax** system contains all the devices and components needed to optimize the respective outputs or digital feedback. The table on the right side shows the different configuration options.



System variant overview

MULTIMAX SET	OUTPUTS SITCHING STAGES	INPUTS FEDBACK	Item no.	HOUSING TYPE	Item no.
multimax SET-4RO-ISO-0DI	4	0	25687	CA13	14362
multimax SET-4RO-ISO-4DI	4	4	25688	CA13	14362
multimax SET-8RO-ISO-0DI	8	0	25689	CA13	14362
multimax SET-8RO-ISO-8DI	8	8	25690	CA13	14362
multimax SET-12RO-ISO-0DI	12	0	25691	CA13	14362
multimax SET-12RO-ISO-12DI	12	12	25692	CA23	14363
multimax SET-16RO-ISO-0DI	16	0	25693	CA23	14363
multimax SET-16RO-ISO-16DI	16	16	25694	CA23	14363
multimax SET-20RO-ISO-0DI	20	0	25695	CA25	14364
multimax SET-20RO-ISO-20DI	20	20	25696	CA25	14364
multimax SET-24RO-ISO-24DI	24	0	25697	CA25	14364
multimax SET-24RO-ISO-24DI	24	24	25698	CA25	14364
multimax SET-28RO-ISO-0DI	28	0	25699	CA23	14363
multimax SET-28RO-ISO-28DI	28	28	25700	CA26	14365
multimax SET-32RO-ISO-0DI	32	0	25701	CA23	14363
multimax SET-32RO-ISO-32DI	32	32	25702	CA26	14365



Housing type	H mm	W mm	Depth mm	X mm	Y mm
CA13	500	300	160	426	175
CA23	500	550	160	426	425
CA25	800	550	160	726	425
CA26	950	550	160	876	425

